



HD VIDEO CONFERENCE CAMERA 520A-MN SERIES

Lifelike and Crystal Clear Image Effect

Strong Sense of Depth

High Resolution

Fantastic Color Rendition



Full HD Image

Multiple Optical Zoom Lens

Rich Video Interfaces

Advanced ISP Technology and Algorithm

Stable and Reliable, Perfect Compatibility

Convenient Installation and Maintenance

Camera Parameter

Model:	520A-05-MN	520A-10-MN	520A-12-MN	520A-20-MN
Optical Zoom:	5X, f=3.1~15.5mm	10X, f=4.7~47mm	12X, f=3.9~46.8mm	20X, f=5.2~98mm
View Angle:	20°(tele)--83.7°(wide)	6.43°(tele)--60.9°(wide)	6.3°(tele)--72.5°(wide)	3.3°(tele)--54.7°(wide)
Iris:	F1.8 – F2.8	F1.6 – F3.0	F1.8 – F2.4	F1.6 – F3.5

Sensor:	1/2.8 inch high quality HD CMOS sensor	Video Format:
Effective Pixels:	16: 9, 2.07MP	HDMI/SDI/HDBaseT video format:
Digital Zoom:	10X	1080P60/50/30/25/59.94/29.97, 1080I60/50/59.94, 720P60/50/30/25/59.94/29.97
Minimum Illumination:	0.5Lux (F1.8, AGC ON)	USB3.0 interface video format:
DNR:	2D & 3D DNR	1) USB3.0: 1920X1080P60/50/30/25, 1280X720P30/25/15/10, 960X540P30, 640X360P30, 800X600P30
White Balance:	Auto / Manual/ One Push/ 3000K/ 3500K/4000K/4500K/5000K/ 5500K/6000K/6500K/7000K	2) USB3.0 compatible with USB2.0: 960X540P30,640X360P30, 1280X720P10/15, 720X576P30, 720X480P30, 800X600P30
Iris/Electronic Shutter:	Auto/Manual	USB2.0 interface video format: 176x144/320x240/320x180/ 352x288/640x480/720x480/720x576/640x360/800X600/ 960X540/1024X576/1024X768/1280X720/ 1920X1080P30/25/20/15/10/5
Focus:	Auto/Manual/One Push	
BLC:	ON/OFF	
WDR:	OFF/ Dynamic level adjustment	
Video Adjustment:	Brightness, Color, Saturation, Contrast, Sharpness, B/W mode, Gamma curve	
SNR:	>55dB	

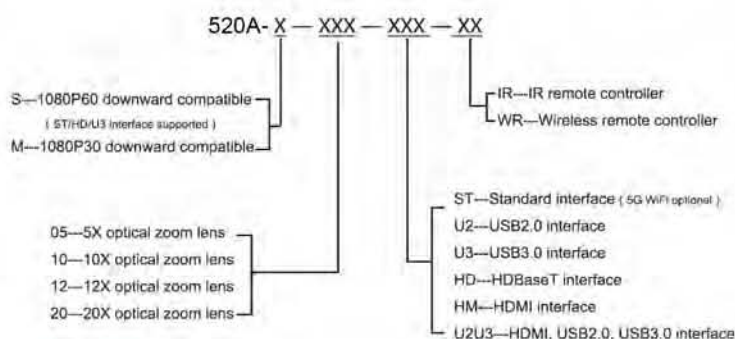
Input /Output Interface

Video Interfaces:	520A-05/10/12/20-ST Model: HDMI, 3G –SDI, LAN, RS232(in&out), RS485, A-IN 520A-05/10/12/20-U2 Model: USB2.0, LAN, RS232(in&out), A-IN 520A-05/10/12/20-U3 Model: USB3.0, LAN, RS232(in&out), A-IN 520A-05/10/12/20-HD Model: HDBaseT, LAN, RS232(in), A-IN 520A-05/10/12/20-HM Model: HDMI, LAN, RS232(in) 520A-05/10/12/20-U2U3 Model: HDMI, USB2.0, USB3.0, LAN, RS232(in)
Video Compression Format:	H.264, H.265, Dual stream output
Control Protocol:	VISCA/Pelco-D/Pelco-P, Baud Rate:115200/9600/4800/2400
Audio Input Interface:	Double track 3.5mm linear input
Audio Compression Format:	AAC/MP3 Audio compression/G.711A
LAN Port:	100M IP port(100BASE-TX), Support VISCA protocol control through IP port.
Network Protocol:	RTSP, RTMP, ONVIF, GB/T28181
Power Interface:	HEC3800 outlet (DC12V)

PTZ Parameter & Other Parameter

Pan/Tilt Rotation	±170°, -30°~+90°
Pan Control Speed	0.1 ~60°/sec
Tilt Control Speed	0.1~30°/sec
Preset Speed	Pan: 60°/sec, Tilt: 30°/sec
Preset Number	255 presets (10 presets by remote controller)
Power Adapter	AC110V-AC220V to DC12V/1.5A
Dimension	150mmX150mmX167.5mm
Weight	1.4KG
Remote Operation (IP)	Remote Upgrade, Reboot and Reset

Order No.





HD VIDEO CONFERENCE CAMERA 960A SERIES

Multiple Optical Zoom Lens

Rich Video Interfaces

Advanced ISP Technology and Algorithm

Super Quiet PTZ Rotation, Built-in SD Card(Optional)

Stable and Reliable, Perfect Compatibility

Convenient Installation and Maintenance

Camera Parameter

Model:	960A-12-MN	960A-20-MN	960A-30-MN
Optical Zoom:	12X, f=3.9~46.8mm	20X, f=5.57~110mm	30X, f=4.3~129mm
Iris:	F1.8 ~ F2.4	F1.6 ~ F3.5	F1.8 ~ F2.4
View Angle:	6.3°(tele)~72.5°(wide)	3.3°(tele)~54.7°(wide)	4.3°(tele)~54.7°(wide)

Sensor:	1/2.8 inch high quality HD CMOS sensor
Effective Pixels:	16: 9 2.07 MP
Video Format:	DVI(HDMI)/SDI video format: 1080P60/50/30/25/59.94/29.97, 1080I60/50/59.94, 720P60/50/30/25/59.94/29.97 USB3.0 interface video format: 1920X1080P60/50/30/25, 1280X720P60/50/30/25, 960X540P30, 640X360P30, 640X480P30, 352X288P30, 960X540P30, 800X600P30 USB3.0 compatible with USB2.0: 960X540P30, 640X360P30, 1280X720P10/15, 720X576P50, 720X480P60, 640X480P30, 352X288P30, 800X600P30
Minimum Illumination:	0.5Lux (F1.8, AGC ON)
DNR:	2D & 3D DNR
White Balance:	Auto / Manual/ One Push/ 3000K/3500K/4000K/4500K/5000K/5500K/6000K/6500K/7000K
Iris/Shutter:	Auto/Manual
Focus:	Auto/Manual/One Push
BLC:	ON/OFF
WDR:	OFF/ Dynamic level adjustment
Video Adjustment:	Brightness, Color, Saturation, Contrast, Sharpness, B/W mode, Gamma curve
SNR:	>55dB

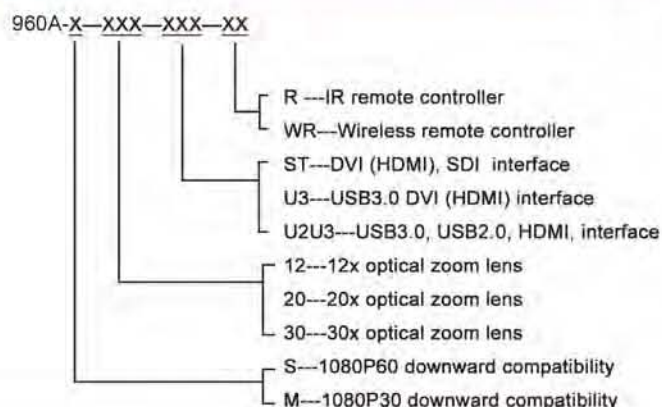
Input/Output Interface

Audio/Video Interfaces:	960A-12/20/30-ST Model: 3G-SDI, DVI(HDMI), LAN, RS232(IN/OUT), RS485, A-IN 960A-12/20/30-U3 Model: USB3.0, DVI(HDMI), LAN, RS232(IN) 960A-12/20/30-U2U3 Model: USB3.0, USB2.0, HDMI, LAN, RS232(IN), A-IN
Video Compression Format:	H.264/H.265, Dual stream output
Control Signal Interface:	RS-232 Ring through RS232 output
Control Protocol:	VISCA/Pelco-D/Pelco-P, Baud Rate: 11520/9600/4800/2400
Audio Input Interface:	Dual track 3.5mm linear input
Audio Compression Format:	AAC/MP3/G.711A
LAN Port:	100M IP port(100BASE-TX), 5G WiFi (optional), Support Visca protocol control through IP port.
Network Protocol:	RTSP/RTMP, ONVIF, GB/T28181
Power Interface:	HEC3800 outlet (DC12V)

PTZ Parameter

Pan Rotation:	±170°
Tilt Rotation:	-30°~+90°
Pan Control Speed:	0.1 ~100°/sec
Tilt Control Speed:	0.1~45°/sec
Preset Speed:	Pan: 100°/sec, Tilt: 45°/sec
Preset Number:	255 presets (10 presets by remote controller)
Power Adapter:	AC110V-AC220V to DC12V/1.5A
Dimension:	258mmX172mmX168mm
Weight:	1.54KG
Remote Operation (IP):	Remote Upgrade, Reboot and Reset

Order No.



HD VIDEO CONFERENCE CAMERA 550 SERIES

Lifelike and Crystal Clear Image Effect

Fantastic Color Rendition

Strong Sense of Depth

High Resolution



Full HD Image

Multiple Optical Zoom Lens

Multiple Video Outputs

Advanced ISP Technology and Algorithm

Stable , Reliable and Perfect Compatibility

Easy To Install and Maintain

Camera Parameter

	550A-05-MN	550A-10-MN
Model Number	550A-05-MN	550A-10-MN
Optical Lens	5X f=3.1~15.5mm	10X f=4.7~47mm
View Angle (Tele/Wide)	20°/ 83.7°	6.43°/ 60.9°
Iris	F1.8 – F2.8	F1.6 – F3.0
Image Sensor:	1/2.8Inch High Quality CMOS Sensor	SDI/HDMI/HDBaseT Video Output Format
Effective Pixels:	2.07MP, 16 : 9	1080P60/50/30/25/59.94/29.97, 1080i60/50/59.94,
Low Illumination:	0.5Lux(F1.8, AGC ON)	720P60/50/30/25/59.94/29.97
DNR:	2D & 3DDNR	USB3.0 Video Output Format
Digital Zoom:	X5	1) USB3.0: 1920X1080P60/50/30/25, 1280X720P60/50/30/25,
White Balance:	Auto/Manual/One Push//3000K/3500K/4000K/ 4500K/5000K/5500K/6000K/6500K/7000K	960X540P30, 640X360P30, 640X480P30, 352X288P30, 960X540P30, 800X600P30
Electronic Shutter:	Auto/Manual/	2) USB3.0(USB2.0 Supported), 960X540P30, 640X360P30,
Focus:	Auto/Manual/One Push/	1280X720P10/15, 720X576P50, 720X480P60, 640X480P30,
BLC:	On/Off	352X288P30
WDR:	OFF/Dynamic Level Adjustment	USB2.0 Video Output Format: 176x144/320x240/320x180/ 352x288/640x480/720x480/720x576/640x360/800X600/ 960X540/1024X576/1024X768/1280X720/
Video Adjustment:	Brightness, Color, Saturation, Contrast, Sharpness, B/W mode, Gamma curve	
SNR:	>55dB	1920X1080P30/25/20/15/10/5

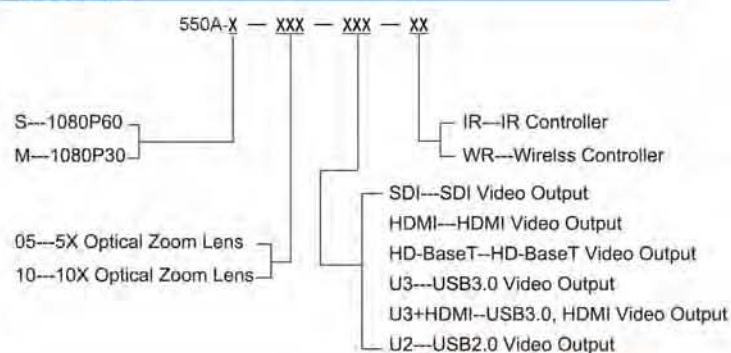
Input /Output Interface

Model No/Interface:	550A-05/10-SDI Interface: SDI, LAN, RS232, A-IN 550A-05/10-HDMI Interface: HDMI, LAN, RS232, A-IN 550A-05/10-U3 Interface: USB3.0, LAN, RS232 550A-05/10-U2 Interface: USB2.0, LAN, RS232 550A-05/10-HD-BaseT Interface: HDBaseT, LAN, RS232, A-IN 550A-05/10-U3+HDMI Interface: USB3.0, HDMI, LAN, RS232
Video Output / Video Stream:	SDI, HDMI, USB3.0, USB2.0, LAN / Dual Stream
Image Multi Code Source Output:	SDI/HDMI/USB3.0/USB2.0, LAN can be with different Code Source/TV System
Video Compression:	H.265, H.264
Audio Compression Format:	A-in: Double track 3.5mm linear input
Audio Output:	SDI, HDMI, LAN
Audio Compression Format:	AAC, MP3, G.711A
LAN:	100M LAN Port (10/100BASE-TX)
Network Protocol:	RTSP, RTMP, ONVIF, GB/T28181, VISCA Control Protocol, Support Remote Update and Reset
Control Port, Protocol:	RS232 (Circuit), RS485, VISCA/Pelco-D/Pelco-P, Baud Rate: 115200/9600/4800/2400bps
Power Supply, Adapter:	HEC3800 Outlet(DC12V), Input AC110V-AC220V, output DC12V/1.5A
Power Input:	DC12V±10%, 1A (Max)

PTZ Parameter & Other Parameter

Pan/Tilt Rotation:	-170°~+170°, -30°~+30°
Pan/Tilt Controller Speed:	0.1 ~60°/Second, 0.1~30°/Second
Preset Speed:	Pan: 60°/Second, Tilt: 30°/Second
Preset Numbers:	255 (10 points By Remote Controller)
Working Temperature:	-10°C~+50°C, 20%~80%
Dimension:	151.2mmX152.5mmX126.7mm
Weight:	1.4kg
Package:	Power supply, Remote Controller, Manual, Warranty Card
Accessories Optional:	Mount (Extra Cost)

Order No.





INTEGRATED HD AUDIOVISUAL COMMUNICATION TERMINAL 1070

Integrated HD Camera

Support H.323 / SIP Dual-Protocol Stack, Built in MCU

Support Dual HD Stream and AAC-LD Broadband Audio Codec

Good Interoperability with The Industry Standard Terminals, MCU and GK

Unique Media Error Correction Technology and Multiple Security Mechanism

1070

Product Specification

Communication Protocol:	H.323(Including H.221, H.225, H.235, H.245, H.281, T.140,DTMF etc.) SIP
Camera Features:	Optical Zoom: 12X View Angle: 6.3°(tele)~72.5°(wide) Tilt: -30°~+30°, Pan: -170~+170° Video Signal Format: 1080p60/50, 720p60/50 Auto Focus/Auto White Balance/Auto BLC Support Pan/Tilt control Support FECC remote control protocol
Video Encoding:	H.261, H.263, H.264, H.264HP
Main Video Input:	Integrated camera video input (built in), support 1080P60/50
Auxiliary Video Input:	Interface: DVI-I. Video formats supported by 1920x1080 (1080P), 1280x720 (720P), 1600x1200 (UXGA), 1680x1050 (WSXGA+), 1400x1050 (SXGA+), 1366x768 (WXGA+), 1280x1024 (SXGA), 1024x768 (XGA), 800x600 (SVGA)
Video Output (2 channels):	Main / Auxiliary camera video output interface: HDMI Video formats supported: 1080P and 720P
Dual Video Stream:	Supported by H.239 (H.323), BFCP (SIP)
Audio Encoding:	G.711A, G.711U, G.722, G.722.1C, G.728, G.729A, AAC-LD
Audio processing technology:	Echo canceller, Noise suppression and AGC

Audio Input:	1xXLR 1xRCA 1x Microphone array 1x HDMI audio(audio from auxiliary stream)
Audio Output:	1xRCA 1xHDMI audio
Microphone array:	Support 48KHz sampling, 6m audio pick up distance, 360°omnidirectional microphone
Other Interface:	10/100/1000M LAN, USB, 5G Wi-Fi (optional, 4G LTE (optional)
LAN Protocol:	IPv4, IPv6, DHCP, NAT, QOS, NTP, SNMP
Bandwidth requirement:	64kbit/s-6Mbit/s
Security:	AES HTTPS Certificate Management interface password protection TV configuration interface password protection
Control ways:	Remote control+ TV interface Web-page management
Built in MCU:	Support 1+5
Supply Adapter/ Consumption:	AC 110-240V, 50Hz-60Hz to DC 12V, <60W
Dimension / Weight:	270mm(L)*184mm(W)*187mm(H), 1.94kg

Installation

Pls fix the device at the position you want. You should save space for cable connection. Please connect the device with the following instructions:

1. Audio output:

Option 1: Connecting acoustics.

Option 2: Use main monitor^⑤ to have audio output

2. Audio input (Attention: Please use one input only at a time, or it will affect audio processing.):

Option 1: Connect with console^②

Option 2: Connect with CANNON Microphone^③
(need to buy 3.5mm balance cable to convert to CANNON head)

Option 3: Connect with omnidirectional digital microphone array^④ (Suggested)

Option 4: Connect with auxiliary video input device^⑦

3. Video output

Connect Main Display/Monitor with HDMI cable^⑤

Connect Auxiliary Display/Monitor with HDMI cable^⑥

4. Video input

Connect auxiliary streaming video Input^⑦ with DVI(HDMI) cable.



5. Network connection

Option 1: Wired network connection^⑧

Option 2: Wireless network connection^⑩

Option 3: Wireless 4G LTE connection^⑩

6. Maintenance and FM upgrading

Via USB2.0 port

7. Power supply Connection^⑨

Connect with AC 12V Power supply

After confirmation of the above connection, connect the DC power adapter with AC power supply, then power on.

Educational Intelligent Auto Tracking PTZ Camera

110 SERIES

Adopting Binocular Integrated Design

Advanced Image Processing Algorithms

Strong Environmental Adaptability

Intelligent Auto-Tracking



Auto tracking cam technical specification

Model:	110T-12-MN	110T-20-MN
Optical Zoom:	12X f=3.9~46.8mm	20X f=4.7~94mm
View Angle:	6.3° (tele) ~72.5° (wide)	2.9° (tele) ~55.4° (wide)
Iris:	F1.8 ~ F2.4	F1.6 ~ F3.5

Sensor:	1/2.8 inch high quality CMOS sensor
Effective Pixels:	2.07 MP, 16: 9
Video Signals:	SDI/HDMI video format: 1080P60/50/30/25/59.94/29.97, 1080I60/50/59.94, 720P60/50/30/25 /59.94/29.97
Minimum Illumination:	0.5Lux (F1.8, AGC ON)
Digital Noise Reduction/ zoom:	2D & 3D digital noise reduction, X10
White Balance:	Manual/Auto/One Push/ 3000K/3500K/4000K/4500K/5000K/5500K/6000K/6500K/7000K
Iris/Electronic Shutter:	Auto/Manual
Focus:	Auto/Manual/One Push
BLC:	ON/OFF
WDR:	OFF/Dynamic Range adjustment
Video Adjustment:	Brightness, Color, Saturation, Contrast, Sharpness, Gamma curve
SNR:	>55dB

Input/Output Interface and Protocols

Video Interface:	SDI/HDMI,LAN
Network Interface:	100M Lan (10/100BASE-TX), 5GWifi(optional), Support VISCA protocol control through IP port
Network Protocol:	RTSP, RTMP, ONVIF, GB/T28181
Video Compress Format:	H.265, H.264, Dual stream output
Control Signal Interface:	RS-232
Control Protocol:	VISCA/Pelco-D/Pelco-P, Baud Rate:115200/9600/4800/2400
Audio Input Interface:	Dual audio channel 3.5mm linear input
Audio Compress Format:	AAC, MP3, G.711A
Power Interface:	HEC3800power jacket(DC12V)

Pan Tilt Parameters

Pan Rotation:	-170°~+170°
Tilt Rotation:	-30°~+90°
Pan Control Speed:	0.1 ~100°/s
Tilt Control Speed:	0.1~45°/s
Preset Speed:	Pan:100°/s, Tilt:45°/s
Preset Number:	255 presets (remoter 10 presets)
Power Adapter:	Input AC110V-AC220V, output DC12V/2.5A
Dimension(WxHxW):	254mmX144mmX174mm
Weight(appr.):	1.50kg
Remote Maintenance (LAN):	Remote Update, Remote Reboot, Remote Reset

Panoramic Camera

Sensor:	1/2.8 inch high quality HD CMOS sensor
Effective Pixels:	2.10 megapixel
Lens:	Manual Focus
Output interface:	LAN, SDI, HDMI
View Angle(D/H/V):	112°/82°/57.6°

DESKTOP HD VIDEO CAMERA 111 SERIES

Plug and Play, USB 2.0 interface

Wide Angle

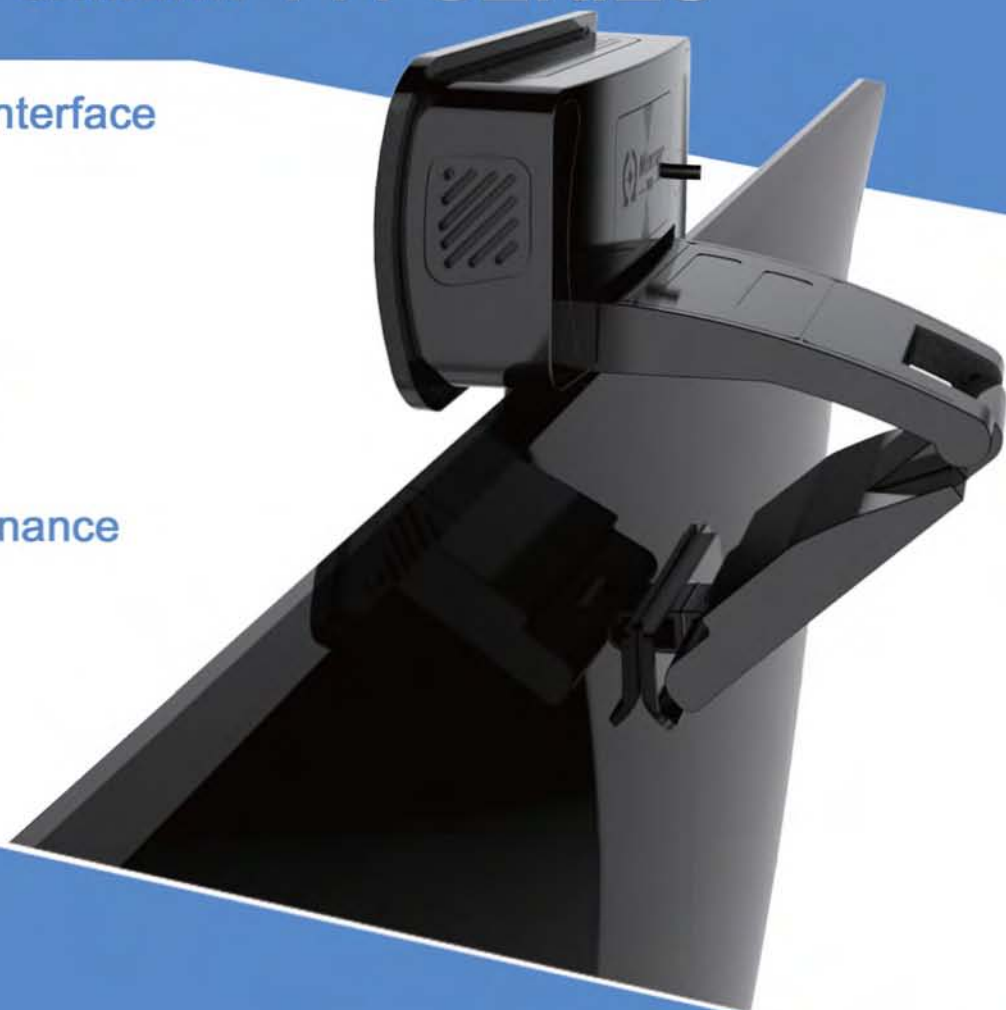
Built-in Microphone

Auto Focus

Multiple Video Encoding

Digital Noise Reduction

Easy Operation & Maintenance



111 SERIES

Camera Parameter

Sensor:	1/2.8 inch high quality HD CMOS sensor
Effective Pixels:	16:9, 2.07MP
Video Format:	176x144/320x240/320x180/352x288/640x480/720x480/720x576/640x360/800X600/ 960X540/1024X576/1024X768/1280X720/1920X1080P30/25/20/15/10/5
Focus:	Fixed (3.5mm)
View Angle:	93.5° (D), 83° (H), 53.14° (V)
Minimum Illumination:	0.5Lux(F1.8, AGC ON)
Focus:	Auto Focus
Iris:	Fixed
BLC:	ON/OFF
Video Adjustment:	Brightness, Color, Saturation, Contrast, Sharpness, Gamma curve, Gain, Anti-flicker
SNR:	>50dB

Input /Output Interface

Video Interface:	USB2.0(power supply available)
Video Compression Format:	H.264, MJPEG, YUV
Audio Input Interface:	Built in omnidirectional high sensitive digital microphone

Other Parameter

Input Voltage:	5V
Input Current:	500mA (Max.)
Dimension (WXHxD) :	112mm*65mm*93mm
Weight (appx.):	0.25kg
Application:	Indoor
Accessory:	User Manual, Warranty card

HD INTEGRATED CAMERA 1212 SERIES

Full HD Image

High Resolution, Fantastic Color Rendition

POE Function(Optional)

Advanced Auto-Focus Technology

Stable and Reliable, Perfect Compatibility

Convenient Installation and Maintenance

Low Noise and High SNR



Camera Paramter

Model:	1212-05-MN	1212-10-MN	1212-12-MN	1212-20-MN
Optical Zoom:	5X f=3.1~15.5mm	10X f=4.7~47mm	12X f=3.9~46.8mm	20X f=5.5~110mm
View Angle:	20°~83.7°	6.43°~60.9°	6.3°~72.5°	3.3°~54.7°
Aperture:	F1.8 – F2.8	F1.6 – F3.0	F1.8 – F2.4	F1.6 – F3.5

Sensor:	1/2.8 inch high quality HD CMOS sensor
Effective Pixel:	16: 9, 2.07 megapixel
Video Format:	SDI Video Format: 1080P60/30/25/59.94/29.97; 1080I60/50/59.94; 720P60/30/25/59.94/29.97;
Digital Zoom:	10X
Minimum Illumination:	0.5Lux(F1.8, AGC ON)
DNR:	2D & 3D DNR
White Balance:	Auto/Manual/One Push/3000K/3500K/4000K/4500K/5000K/5500K/6000K/6500K/7000K
Aperture/Electronic Shutter:	Auto/Manual
Focus:	Auto/Manual/A key focus
BLC:	ON/OFF
WDR:	OFF/Dynamic Level Adjustment
Video Adjustment:	Brightness, Color, Saturation, Contrast, Sharpness, B/W mode, Gamma curve
SNR:	>55dB

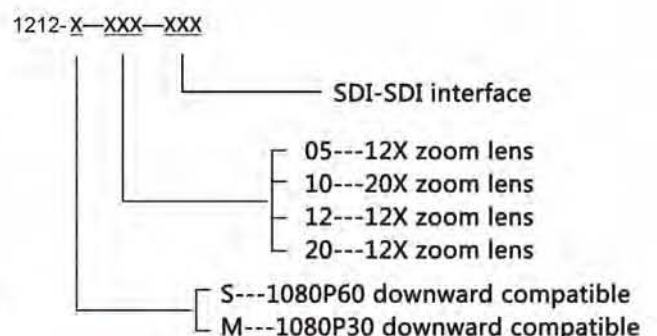
Input /Output interface and supported protocol

Video Interface:	SDI Model: SDI, LAN, RS232, RS485, A-IN
Video Output Interfaces:	SDI, LAN
Image Stream:	Double stream output
Video compression format:	H.265, H.264
Audio Input Interface:	A-IN: Double track 3.5mm linear input
Audio Compression Format:	AAC, MP3, G.711A
Control Interface:	RS232, RS485
Control Protocol:	VISCA/Pelco-D/Pelco-P; Baud Rate: 115200/9600/4800/2400
Network Interface	100M IP port (10/100BASE-TX: Support POE)
Network Protocol:	RTSP, RTMP, ONVIF, GB/T28181; Network VISCA Control Protoc; Support remote upgrade, reboot and reset.
Power Interface:	5.0 Card line socket(DC12V)
Power Adapter:	Input: AC110V-AC220V Output: DC12V/1A
Input voltage:	DC12V±10%
Input current:	400mA (Maximum)
Power Consumption:	4.8W (Maximum)

Other Parameter

Pitch Rotation Range:	±25°Manual adjustment
Storage Temperature:	-10℃~+60℃
Storage Humidity:	20%~95%
Working Temperature:	-10℃~+50℃
Working Humidity:	20%~80%
Dimension:	154.5mmX154.5mmX149.3mm
Using environment:	Indoor
Random Accessory:	12V/1A power supply, Manual, Warranty card
Optional Accessories:	Mounting bracket

Order NO.



Information and Communication HD Camera 1312 SERIES



Full HD(high definition) Image
High Resolution and Fantastic Color Rendition
Advanced Auto-Focus Technology
Low Noise and High SNR
Stable , Reliable and Perfect Compatibility
Convenient Installation and Maintenance

1312 SERIES

Camera Parameter

Sensor:	1/2.8 inch high quality HD CMOS sensor
Effective Pixels:	2.07 megapixel, 16:9
Video Format:	SDI video format:1080P60/30/25/59.94/29.97, 1080I60/50/59.94, 720P60/30/25/59.94/29.97, USB2.0 Video Format: 176x144/320x240/320x180/352x288/640x480/720x480/720x576/640x360/ 800X600/960X540/1024X576/1024X768/1280X720/1920X1080P30/25/20/15/10/5
Video Fo rmat:	0.5Lux(F1.8, AGC ON)
Low Illumination:	2D & 3D DNR
White Balance:	Auto/Manual/One Push/3000K/3500K/4000K/4500K/5000K/5500K/6000K/6500K/7000K
Focus/Aperture:	Auto
Zoom:	3X optical zoom, f:2.5mm--12mm
Electronic Shutter:	Auto/Manual
BLC:	ON/OFF
WDR:	OFF/ Dynamic level adjustment
Video Adjustment:	Brightness, Color, Saturation, Contrast, Sharpness, B/W mode, Gamma curve
SNR:	>55dB

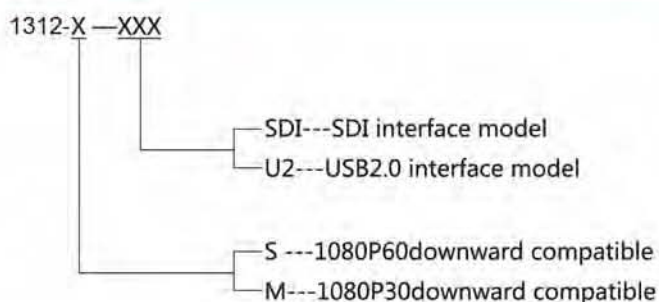
Input /Output interface and supported protocol

Model interface:	U2 model: USB2.0, LAN, RS232, A-IN SDI model: SDI, LAN, RS232, RS485, A-IN
Video output Interfaces:	SDI, USB2.0, LAN
Image Code Stream:	Dual stream output
Video Compression Format:	H.265, H.264
Audio-in input:	A-IN: Double track 3.5mm linear input
Audio compressed format:	LAN
HD IP Interface:	100M Lan port (10/100BASE-TX)
Network Protocol:	RTSP, RTMP, ONVIF, GB/T28181, support upgrading online, remote reset, support networked full Visca commend control protocol
Control Interface:	RS232, RS485
Control Protocol:	VISCA/Pelco-D/Pelco-P
5 Control Key:	UP/DOWN/LEFT/RIGHT/CONFIRM keys for OSD setting
Reset:	Support reset manually
Power Interface:	HEC3800 power socket(DC12V)
Power Adapter :	Input AC110V-AC220V, output DC12V/1A
Input Voltage,Current:	DC12V±10%, 400mA (max)
Consumption:	4.8W(max)

Other Parameter

Store Temperature, Humidity:	-10°C~+60°C, 20%~95%
Working Temperature, Humidity :	-10°C~+50°C, 20%~80%
Dimension:	155mmX142mmX155mm
Weight:	0.5kg
Application:	indoor
Accessory(matched):	12V/1A Power supply, User Manual, Warranty card
Accessory(optional):	brackets

Order No.



HD Video Conference Camera 210

210 series camera has perfect functions and superior performance, which adopts advanced ISP processing algorithms so as to provide vivid images with evenly clear brightness, strong color layering, high resolution, and fantastic color rendition. Easy and convenient to install and maintain, stable and reliable.



Features:

- **Superb High-definition Image:** 1/2.5 inch high quality CMOS sensor. Resolution is up to 4K with frame rate up to 30fps.
- **Wide FOV:** 83° large wide angle and small distortion lens; 3x zoom lens
- **Advanced Focusing Technique:** VCM motor auto-focusing lens, advanced auto-focusing algorithm makes the camera auto focusing rapidly, accurately and stably.
- **Low Noise and High SNR:** Low Noise CMOS effectively ensure high SNR of camera video.
- **Multiple Video Output Interfaces:** Supports HDMI, USB 3.0 and LAN.
- **Multiple Audio Video Compression:** Supports H.265/H.264/MJPEG video compression; Supports AAC、MP3、PCM audio compression; Supports up to 3840x2160 resolution 30 fps compression.
- **Stereo sound:** Built-in pickup to present clear stereo sound, no external device required.
- **POE: LAN interface supports POE function**
- **Built-in Pickup: two built-in MIC pickups**
- **Multiple Installation:** Standard equipped with mold clamp. Easy to install on any devices, such as LCD screen, laptop, table and tripod.
- **Easy to Use:** No need to download driver; USB output interface; Plug and play.
- **Wide Applications:** personal video conferencing, enterprise video conferencing, collaboration meeting etc.

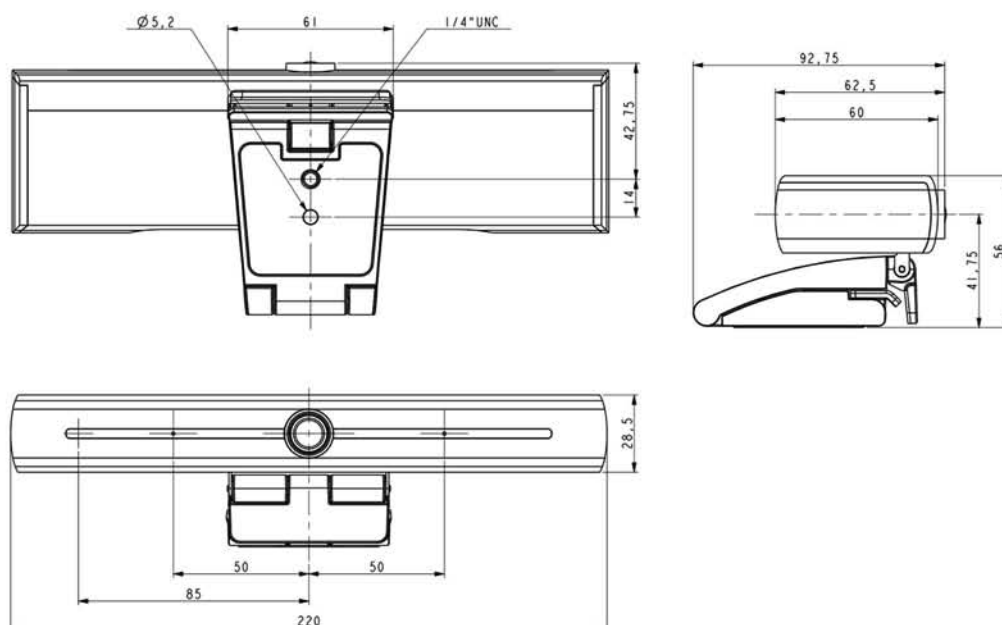
Technical Specification:

Model Number	210-MN
Camera Parameter	
Image Sensor	1/2.5 Inch High Quality 4K CMOS Sensor
Effective Pixels	8.28MP 16:9
Video Format	HDMI Video Output Format:108030/25/29.97; 1080I60/50/59.94; 720P/30/25/29.97 USB3.0 Video Output Format: up to 3840x2160P30; USB3.0 is compatible with USB2.0 output.
View Angle	93.5° /83°/53.1°
Minimum Illumination	0.5Lux(F1.8, AGC ON)
Lens	3.5mm
Aperture	2.0+ 5%
Digital zoom	3X
DNR	2D & 3D DNR
White Balance	Auto / Manual/ One Push//3000K/3500K/4000K/4500K/5000K/5500K/6000K/6500K/7000K
Focus	Auto / Manual/ One Push
Exposure	Auto / Manual
Backlight contrast	On/off
SNR	>55dB

Input/output Interface	
Video Interfaces	USB3.0、HDMI、LAN (POE)
Video Compression Format	MJPEG、H.264、H.265
Audio Input Interface	Built-in high sensitive digital pickup

Other Parameter	
Input Voltage	DC5V
Input Current	1A (Max.)
Power consumption	5W(Max.)
Store Temperature	-10°C ~+60°C
Store Humidity	20%~95%
Working Temperature	-10°C ~+50°C
Working Humidity	20%~80%
Dimension (WXHXD)	220mmX92.75mmX56mm
Application	Indoor
Accessory	User Manual; Warranty card

Dimension (unit: mm)



160 Series Educational binocular Camera

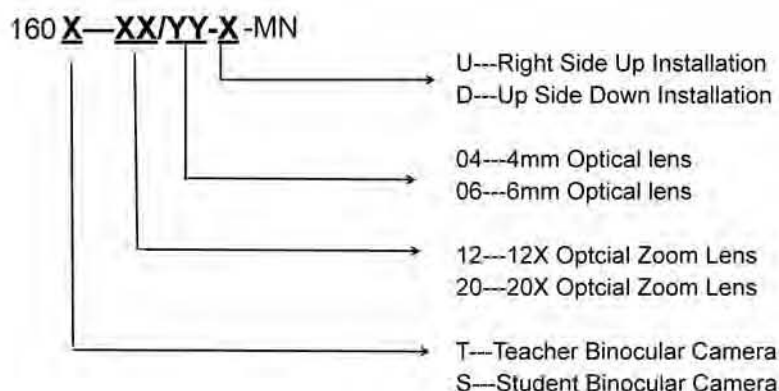
The 160 series camera offers perfect functions, superior performance and rich interfaces. The features include advanced ISP processing algorithms to provide vivid images with a strong sense of depth, high resolution, and fantastic color rendition. It supports H.264/H.265 encoding which makes motion video more fluent and clear under low bandwidth conditions. Built-in panoramic camera, to achieve an integrated fusion of panoramic camera and tracking camera.



Product advantages:

- Integrated design: built-in panoramic camera, to achieve an integrated fusion of panoramic camera and tracking camera.
- Superb High-definition Image: employ 1/2.8 inch high quality CMOS sensor. Resolution is up to 1920x1080 with frame rate up to 60 fps.
- Various Optical Zoom Lens : 12X/20X and other optical zoom lens for options. 12x zoom lens adopts 72.5 ° wide view angle without distortion.
- Leading Focus Technology : Leading auto focus algorithm makes lens auto-focus more fastly, accurately and stably.
- Low Noise and High SNR : Low Noise CMOS effectively ensure high SNR of camera video. The adoption of advanced 2D/3D noise reduction technology not only further reduces the noise, but also ensuring image sharpness.
- Multiple Audio Output Interfaces: Support SDI, LAN. SDI supports to transmit 100 meters under the 1080P60 format.
- Multiple Video Compression Standard: Support H.264/H.265 video compression, AAC, MP3 and G.711A audio compression.
- Audio Input Interface : Support 8000,16000,32000,44100,48000 sampling frequency and AAC,MP3, G.711A audio coding.
- Multiple Network Protocols: Support ONVIF, GB/T28181, RTSP, RTMP protocols, RTMP push mode, which is easy to link streaming media server (Wowza,FMS), RTP multicast mode and network full command VISCA control protocol.
- Multiple Control Protocols: Support VISCA/PEOLCO-P/D protocols, automatically recognize protocols.
- Networked controlling interface: all of the controlling information could be transmitted by network, to meet the various scenario of product development.
- Extremely Quiet PTZ
Adopting step driving motor mechanism and motor drive controller with high precision is to ensure PTZ works smoothly with low speed and without noise.
- Multiple Video Compression : Support H.264/H.265 video compression.
- Sleep Function: Support low power sleep/wake up, with consumption below 400mW in sleep mode.
- Flexible installation: support wall mount and upside down installation.

Order Model No.



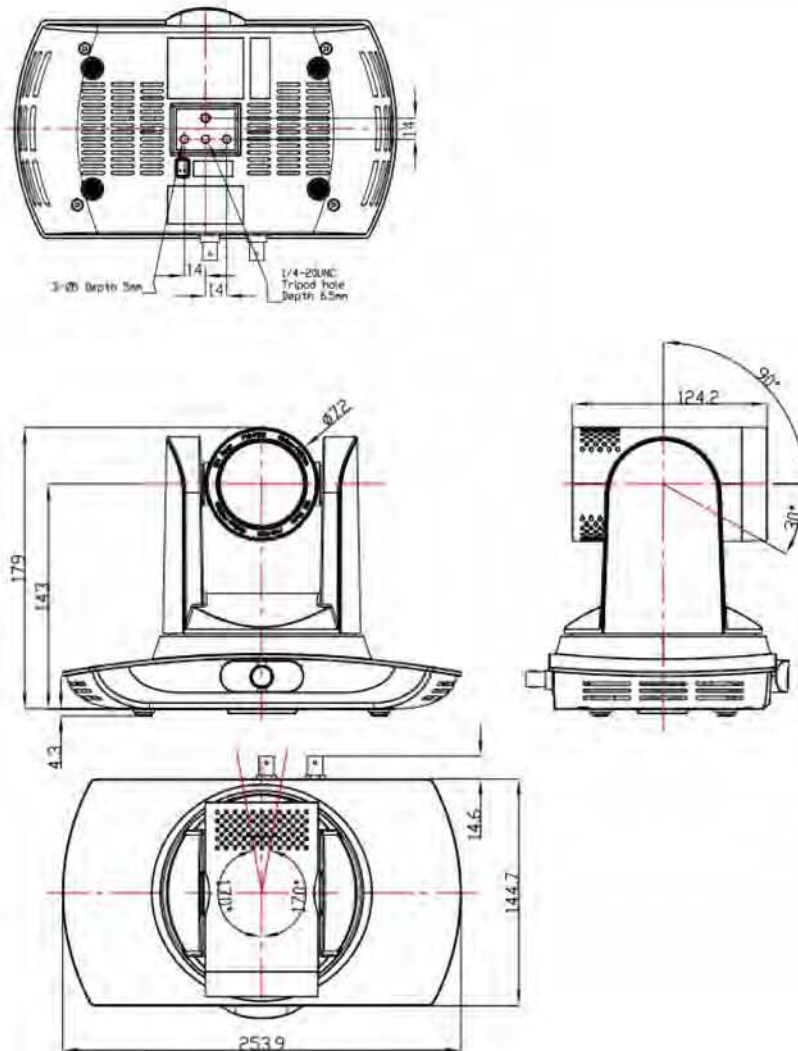
Technical Specification

Model	160T/S-12-MN	160T/S-20-MN
Tracking Camera, Lens Parameter		
Sensor	1/2.8Inch High Quality CMOS Sensor	
Effective Pixels	2.07MP, 16: 9	
Video Signal	1080P60/50/30/25/59.94/29.97 , 1080I60/50/59.94, 720P60/50/30/25 /59.94/29.97	
Lens Optical Zoom	12X Optical Zoom, f=3.9~46.1mm	20X Optical Zoom, f=4.7~94mm
View Angle	6.3°(Tele)~72.5°(Wide)	2.9°(Tele)~55.4°(Wide)
Iris	F1.8 ~ F2.4	F1.6 ~ F3.5
Digital Zoom	X10	
Minimum Illumination	0.5Lux(F1.8, AGC ON)	
DNR	2D & 3D DNR	
White Balance	Manual/Auto/One-keyBalance/3000K/3500K/4000K/4500K/5000K/5500K/6000K/6500K/7000K	
Focus	Manual/Auto/A key focus	
Iris	Manual/Auto	
Electronic Shutter	Manual/Auto	
BLC	On/Off	
WDR	Off/ Dynamic level adjustment	
Video Adjustment	Brightness,Color,Saturation,Contrast,Sharpness, B/W mode, Gamma curve	
SNR	>55dB	
Panoramic Camera Parameter		
Sensor	1/2.8Inch High Quality HD CMOS Sensor	
Effective Pixels	2.07 megapixel	
Lens	Manual focusing	
Video Output Interface	Network interface, SDI	
4mm View Angle(D/H/V)	89.6° \71° \52.2°	
6mm View Angle(D/H/V)	67.0° \59° \32.5°	
Input/Output Interface and Protocols		
Video Output Interface	SDI, LAN	
Video Compression	H.265,H.264	
Video Stream	Dual Stream	
Audio Input	Dual channel 3.5mm linear input	
Audio Compression	AAC, MP3, G.711A	
Network Interface	100M(10/100BASE-TX)	
Network Protocol	RTSP, RTMP, ONVIF, GB/T28181, Network VISCA Control Protocol, Support remote upgrade, reboot and reset.	
Control Interface	RS-232 input	
Control Protocol	VISCA/Pelco-D/Pelco-P, Baud Rate: 115200/9600/4800/2400bps	
Power Interface	HEC3800 outlet (DC12V)	
Power Adapter	Input: AC110V-AC220V, Output: DC12V/2.5A	
Input voltage	DC12V±10%	
Input current	1.5A (Maximum)	
Power Consumption	18W(Maximum)	
PTZ Parameter		
Pan Rotation	-170° ~ +170°	
Tilt Rotation	-30° ~ +90°	
Pan Control Speed	0.1 ~ 100°/Sec.	
Tilt Control Speed	0.1 ~ 45°/Sec.	
Preset Speed	Pan: 100°/Sec, Tilt:45°/Sec.	
Preset Number	Up to 255Points(10 Points By Controller)	

Others	
Storage Temperature	-10℃ ~ +60℃
Storage Humidity	20% ~ 95%
Working Temperature	-10℃ ~ +50℃
Working Humidity	20% ~ 80%
Dimension (W*D*H)	254mmX144mmX174mm
Weight (around)	1.50kg
Using environment	Indoor

Accessories	
Random Accessory	12V/2.5A Power supply, RS232 Cable, Controller, Manual, Warranty Card
Optional Accessories	Mounting bracket

Dimension Pictures: (unit:mm)



1311 Series HD Box Camera

Full HD, Multiple Video Interfaces

The 1311 series camera offers perfect functions, superior performance and rich interfaces. The features include advanced ISP processing algorithms to provide vivid images with a strong sense of depth, high resolution, and fantastic color rendition. It supports H.264/H.265 encoding which makes motion video fluent and clear even under less than ideal bandwidth conditions.

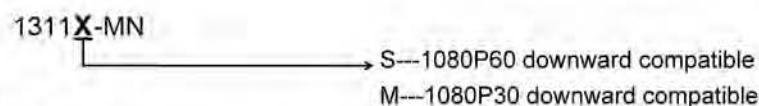


Key Features

- Superb High-definition Image**
 It employs 1/2.8 inch high quality CMOS sensor. Resolution is up to 1920x1080 with frame rate up to 60fps and 2 channel 1920x1080p with 30fps compression.
- Low Noise and High SNR**
 Low Noise CMOS effectively ensure high SNR of camera video. Advanced 2D/3D noise reduction technology is also used to further reduce the noise, while ensuring image sharpness.
- Multi-Format Video Outputs**
 Multiple interfaces include: 3G-SDI and LAN. The 3G-SDI is available for 100m transmission at 1080p60 format.
- Multiple Video Compression**
 Support H.265/H.264+ video compression; Support compression of resolution up to 1920x1080 with frame up to 60fps.
- Multi-Format Audio Inputs**
 Support 8000, 16000, 32000, 44100, 48000 sampling frequency, support AAC, MP3, G.711A audio coding.
- Multiple Network Protocol**
 Support ONVIF, RTSP, RTMP, GB/T28181 protocols and support RTMP push mode, easy to link streaming media server (Wowza, FMS), support RTP multicast mode.
- 5 Control Key**
 UP/DOWN/LEFT/RIGHT/CONFIRM keys for OSD setting
- Wide Application**
 Tele-education, lecture capture, Webcasting, Videoconferencing, Tele-training, Tele-medicine, Interrogation and Emergency command systems.

Order No.

UV1301



Technical Specification

Model	1311-MN
Camera Parameter	
Sensor	1/2.8 inch high quality HD CMOS sensor

Effective Pixels	16: 9 2.07 megapixel
Video Format	1080P60/30/25/59. 94/29. 97 1080I60/50/59. 94 720P60/30/25/59. 94/29. 97
Auto Iris	DC driving mode
Digital Zoom	X5
Minimum Illumination	0.5Lux(F1.8, AGC ON)
DNR	2D & 3D DNR
White Balance	Auto / Manual/ OnePush/ 3000K/3500K/4000K/4500K/5000K/5500K /6000K/6500K//7000K
Focus	Manual
Aperture	Auto/Manual
Electronic Shutter	Auto/Manual
BLC	ON/OFF
WDR	OFF/ Dynamic level adjustment
Video Adjustment	Brightness,Color, Saturation,Contrast,Sharpness,B/W mode,Gamma curve
SNR	>55dB
Input/output interface	
Video Interfaces	SDI, LAN
Image Code Stream	Dual stream output
Video Compression Format	H.264, H.265
Audio inputs Interface	Double track 3.5m linear input
Audio Compression Format	AAC, MP3, G.711A
Control Interface	RS-485
Control Protocol	VISCA/Pelco-D/Pelco-P;Baud Rate: 115200/9600/4800/2400bps
5 Control Key	UP/DOWN/LEFT/RIGHT/CONFIRM keys for OSD setting
HD IP Interface	100M IP port (10/100BASE-TX), Support VISCA protocol control through IP port.
Network Protocol	RTSP,RTMP,ONVIF,GB/T28181
Power Interface	HEC3800 power socket(DC12V)
Other Parameter	
Power Adaptor	AC110V-AC220V to DC12V/1A , POE power supply (optional)
Input Voltage	DC12V±10%
Input Current	400mA (Max)
Consumption	4.8W (Max)
Store Temperature	-10℃ ~+60℃
Store Humidity	20% ~95%
Working Temperature	-10℃ ~+50℃
Working Humidity	20% ~80%
Dimension	126.8mmX55mmX58.6mm
Weight	0.5kg
Application	Indoor
Remote Operation (IP)	Remote Upgrade, Reboot and Reset
Accessory	12V/1A Power supply,User Manual,Warranty card,brackets(optional)

Dimension

